

11,000-22,000 lbs
H Series
Pneumatic Tire Forklift



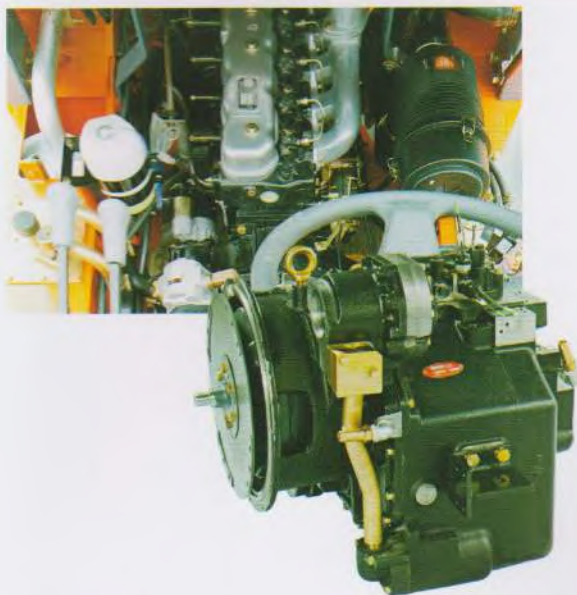
h2000
SERIES

HELI
LIFTING THE FUTURE

Top 10 Forklift
Manufacturer In The World

H Series Pneumatic Tire Forklift 11,000-22,000 lbs

Powerful Engine and Drive Train



EPA Certified Engines
Cummins QSB4.5 Turbocharged Diesel Engine (std.)
Mitsubishi S6S-T Turbocharged Diesel Engine (optional on
11,000 - 15,500 lb. capacity forklifts)

Powerful and durable 2-speed, power-reversing transmission
manufactured by Heli with over 20 years of superior industry
performance



High Visibility Mast and Overhead Guard



- Optimized visibility
- Heavy duty side thrust rollers-easily adjustable-better load stability
- Mast constructed of German steel
- Stacked I-Beam construction provides longer lift, improved rigidity, and better stability

Hydraulic System

Proven and Reliable

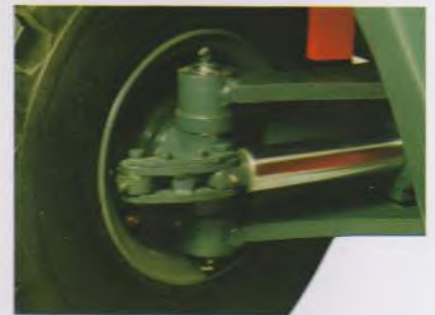
Heli manufactured lift, tilt and steer cylinders are made using the most advanced manufacturing technologies in the industry which ensures longevity and reliability.

- Direct drive hydraulic pump
- Delivers maximum flow through
- Hydraulic circuit for excellent lift and tilt control performance



Hydrostatic Power Steering

Fully hydrostatic power steering provides greater turn radius with less effort to operator.



- Reduced effort steering
- Heavy duty fabricated steel axle
- Serviceable king pins with large capacity thrust bearings and zerk fittings

Operator Compartment

- Cowl mounted hydraulic controls
- Semi-suspension seat
- Spacious foot well with non-slip rubber mat
- Easy entry and exit with wide steps on both sides of compartment
- Full function dash display





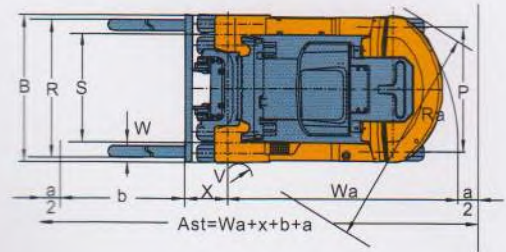
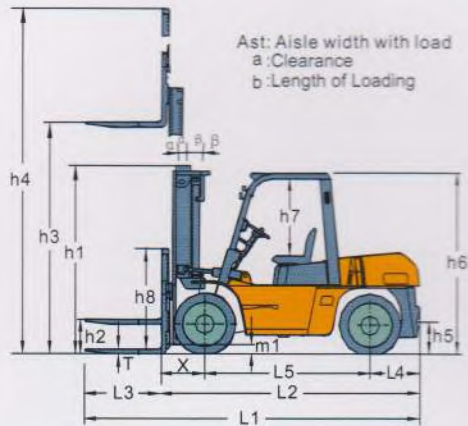
H Series Pneumatic Tire Forklift

11,000-22,000

Manufacturers Data and Design Characteristics

Characteristics					
1	Model			CPCD50	CPCD50
2	Fuel type				
3	Base Capacity		lbs	11,000	13,000
4	Load Center		inch		
Dimensions					
5	Max. lift height with backrest	h4	inch	171.7	171.7
6	Standard fork height	h3	inch		118.1
7	Overall mast lowered height	h1	inch	98.4	98.4
8	Free lift standard backrest height	h2	inch	7.9	7.9
9	Operator clearance	h7	inch	44.1	44.1
10	Overall height	h6	inch		98.4
11	Overall length (without forks)	L2	inch	135.4	138.1
12	Front overhang	X	inch		23.2
13	Rear overhang	L4	inch	23.6	26.1
14	Wheel base	L5	inch	88.6	88.6
15	Tow pin height	h5	inch	17.0	18.1
16	Minimum ground clearance under mast	m1	inch	7.9	7.9
17	Overall width	B	inch	78.5	78.5
18	Lateral fork adjustment outside of fork (Max./Min.)	S	inch	72.6/11.8	72.6/11.8
19	Tread (front)	R	inch	58.0	57.1
20	Tread (rear)	P	inch	67.0	66.1
21	Outside turning radius	Wa	inch	128.0	129.1
22	Inside turning radius	V	inch	8.0	7.1
23	Minimum intersecting aisle	Ra	inch	116.5	116.5
24	Tilting angles (forward/backward)	α / β			
25	Fork dimension (axbxc)		inch	48x5.9x2.16	48x5.9x2.16
Performance					
26	Max. Traveling speeds (With/Without load)		mile/h	16.25/17.5	16.25
27	Lifting Speeds (With/Without load)		ft/min	102.36/108.27	102.36
28	Lowering Speeds (With/Without load)		ft/min		
29	Max. Draw-bar pull (With/Without load)		lbs	13950	13950
30	Max. Negotiable Gradient (With/Without load)		%	35/19	32/19
Weights					
31	Service Weight		lbs	17560	19000
32	Axle load, Front/Rear		lbs	25710/2910	28770
33	Axle Load without, Front/Rear		lbs	8840/8750	8560/1
Tires					
34	Wheels number front/rear (x=driven)				
35	Tire Type				
36	Tire size (front)				8.25-15
37	Tire size (rear)				8.25-15
38	Service Brake				Hyd
39	Parking Brake				Mech
Drive					
40	Battery (Voltage/Capacity)		V/Ah		
41	Internal Combustion Engine Model				C
42	Engine type				Electronic controlling, Turbo
43	Internal Combustion Engine Rated Output		Hp/rpm		
44	Internal Combustion Engine Rated Torque		lb.ft/rpm		
45	Internal Combustion Engine Number of Cylinder				
46	Internal Combustion Engine Displacement		L		
47	Internal Combustion Engine Fuel Tank Capacity		L		
48	Transmission type				
49	Transmission Number of Speed Fwd/Bwd type				

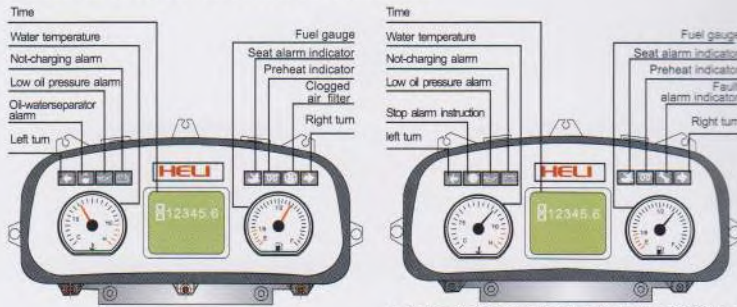
	CPCD70	CPCD80	CPCD100	CPCD50	CPCD60	CPCD70
60	Diesel					
0	15,500	17,500	22,000	11,000	13,000	15,500
	24				24	
3	171.1	171.7	160.8	171.7	171.3	171.1
		118			118	
	98.4	106.3	112.2	98.4	98.4	98.4
	7.9	7.9	7.9	7.9	7.9	7.9
	44.1	44.1	44.1	44.1	44.1	44.1
		100.8	100.8		96.5	
4	140.9	155.1	167.7	135.4	138.4	140.9
		27.6	28.3		23.2	
	29.1	29.1	29.1	23.6	26.6	29.1
	88.6	98.4	110.2	88.6	88.6	88.6
	16.9	21.3	21.3	17.0	16.9	16.9
	7.9	9.6	9.6	7.9	7.9	7.9
	78.5	85.2	85.2	78.5	78.5	78.5
8	72.6/11.8	78.7/13.4	84.3/16.1	72.6/11.8	72.6/11.8	72.6/11.8
	57.9	63.0	63.0	58.0	57.9	57.9
	66.9	66.9	66.9	67.0	66.9	66.9
9	132.7	145.7	153.5	128.0	129.9	132.7
	7.9	7.9	7.9	8.0	7.9	7.9
	119.7	130.3	139.4	116.5	118.1	119.7
	6° /12°				6° /12°	
36	48x5.9x2.56	48x6.7x2.76	48x6.8x3.15	48x5.9x2.16	48x5.9x2.36	48x5.9x2.56
7.5	16.25/17.5	16.25/18.75	16.25/18.75	16.25/17.5	16.25/17.5	16.25/17.5
8.27	100.4/106.3	86.6/92.5	70.9/74.8	102.36/108.27	102.36/108.27	100.4/106.3
	≤118/≥59				≤118/≥59	
	13950	13500	13500	13950	13950	13950
	30/19	27/20	22/20	35/19	32/19	30/19
	20620	24170	27590	17560	19050	20620
300	32130/3930	37490/4320	44940/4700	25710/2910	28770/4300	32130/3930
500	8510/12100	10670/13500	12570/15020	8840/8750	8560/10500	8510/12100
4X/2					4X/2	
Pneumatic					Pneumatic	
14PR9.00-20-14PR					8.25-15-14PR	
14PR9.00-20-14PR					8.25-15-14PR	
Hydraulic-Foot Pedal					Hydraulic-Foot Pedal	
Mechanical-Hand Lever					Mechanical-Hand Lever	
2X12/80					2X12/80	
mmins QSB4.5					Mitsubishi S6S-T	
Large, Air-to-air intercooled diesel engine					Turbocharged diesel engine	
110/2200					85.4/2300	
360/1500					210/1700	
4					6	
4.5					4.996	
140					140	
Power Shift					Power Shift	
2/2					2/2	



Instrument Panels

The instrument panel gives a complete display of vital information, including operation status, etc. It allows the operator to maintain the vehicle status conveniently.

- ✓ Programmable LCD
- ✓ Electrical safety standard meets CE requirements



H Series 5-10T engine with Cummins QSB4.5

CPGD50 CPGD60 CPGD70 CPGD80 CPGD100



Note:

Capacities shown are computed with mast in vertical position based on a 48 inch cube load configuration with the center of gravity at the true center of the cube and standard forks. Long forks and unusually wide loads may also reduce capacity.

22,000lbs FULL FREE LIFT MAST W/SIDE SHIFTER

Mast model	Max. Fork Height (inch)	Load Capacity (lbs)	Overall Mast Height (At Lowered) (inch)	Tilting Angle Fwd/Bwd (deg.)	Service Weight (lbs)
ZSM360	141" TSU	17500	101.2	6-12"	27676
ZSM400	157" TSU	17500	106.3	6-12"	27808
ZSM435	171" TSU	17500	111.0	6-12"	27940
ZSM480	189" TSU	16530	116.9	6-6"	28072
ZSM500	196" TSU	16530	119.5	6-6"	28182
ZSM540	212" TSU	15500	127.0	3-6"	28336
ZSM600	236" TSU	13000	134.8	3-6"	28512

8-11,000 - 15,500lbs WIDE VIEW MAST

Mast model	Max. Fork Height (inch)	Load Capacity (lbs)			Overall Mast Height (At Lowered) (inch)			Tilting Angle Fwd/Bwd (deg.)	Service Weight (lbs)		
		CPGD50	CPGD60	CPGD70	CPGD50	CPGD60	CPGD70		CPGD50	CPGD60	CPGD70
M200	78	11000	13000	15500	78.7	6-12"	17239	18691	20253		
M250	98	11000	13000	15500	88.6	6-12"	17380	18832	20394		
M300	118	11000	13000	15500	98.4	6-12"	17556	19008	20570		
M330	130	11000	13000	15500	104.3	6-12"	17666	19118	20680		
M350	137	11000	13000	15500	108.3	6-12"	17732	19184	20768		
M375	145	11000	13000	15500	112.2	6-12"	17820	19272	20856		
M400	157	11000	13000	15500	120.1	6-12"	18194	19646	21230		
M450	177	11000	13000	15500	130.0	6-12"	18370	19822	21406		
M500	196	11000	13000	15500	139.8	6-6"	18546	19998	21582		
M550	216	10450	12540	14520	151.6	3-6"	18986	20438	22000		
M600	236	9680	11880	14080	161.4	3-6"	19162	20614	22176		

11,000 - 15,500lbs WIDE VIEW FULL FREE 2-STAGE MAST

Mast model	Max. Fork Height (inch)	Load Capacity (lbs)			Overall Mast Height (At Lowered) (inch)			Free Lift (with Backrest) (inch)	Tilting Angle Fwd/Bwd (deg.)	Service Weight (lbs)		
		CPCD50	CPCD60	CPCD70	CPCD50	CPCD60	CPCD70			CPCD50	CPCD60	CPCD70
ZM250	98	11000	13000	15500	87.0			33.0	6-12°	17622	19074	20636
ZM300	118	11000	13000	15500	97.0			42.8	6-12°	17798	19250	20812
ZM330	130	11000	13000	15500	102.8			48.7	6-12°	17908	19360	20922
ZM350	137	11000	13000	15500	106.7			52.6	6-12°	17974	19426	20988
ZM375	145	11000	13000	15500	111.6			57.6	6-12°	18062	19514	21076
Zm400	157	11000	13000	15500	118.5			64.4	6-12°	18414	19866	21428

NOTE: 11,000 - 13,000lbs FREE LIFTING HEIGHT WITHOUT LIFT BRACKET + 18.3"
15,500lbs FREE LIFTING HEIGHT WITHOUT LIFT BRACKET + 12.2"

11,000 - 15,500lbs WIDE VIEW FULL FREE 2-STAGE MAST

Mast model	Max. Fork Height (inch)	Load Capacity (lbs)			Overall Mast Height (At Lowered) (inch)			Free Lift (with Backrest) (inch)	Tilting Angle Fwd/Bwd (deg.)	Service Weight (lbs)		
		CPCD50	CPCD60	CPCD70	CPCD50	CPCD60	CPCD70			CPCD50	CPCD60	CPCD70
ZSM360	141" TSU	9900	12320	13640	91.9			37.9	6-6°	19074	20526	22044
ZSM400	157" TSU	9900	12320	13640	97.2			43.2	6-6°	19206	20658	22176
ZSM435	171" TSU	9900	12320	13640	101.8			47.7	6-6°	19338	20790	22264
ZSM480	189" TSU	9900	12320	13640	107.9			53.8	6-6°	19756	21208	22682
ZSM500	196" TSU	9900	12320	13640	110.4			56.4	3-6°	19822	21274	22748
ZSM540	212" TSU	9240	11660	13200	115.7			61.7	3-6°	19976	21428	23122
ZSM600	236" TSU	8800	11000	12100	123.6			69.6	3-6°	20174	21626	23518
ZSM650	256" TSU	7920	9460	9900	134.1			80	3-6°	20416	21868	23782
ZSM700	275" TSU	6600	7700	8140	138.4			84.3	3-6°	20658	22110	24024

NOTE: 11,000 - 13,000lbs FREE LIFTING HEIGHT WITHOUT LIFT BRACKET + 18.3"
15,500lbs FREE LIFTING HEIGHT WITHOUT LIFT BRACKET + 12.2"

22,000lbs FULL FREE LIFT MAST W/SIDE SHIFTER

Mast model	Max. Fork Height (inch)	Load Capacity (lbs)		Overall Mast Height (At Lowered) (inch)		Tilting Angle Fwd/Bwd (deg.)	Service Weight (lbs)	
		CPCD80	CPCD100	CPCD80	CPCD100		CPCD80	CPCD100
M250	98	17500	-	96.5	-	6-12°	23914	-
M300	118	17500	22000	106.3	112.2	6-12°	24112	26730
M330	130	17500	22000	112.2	118.1	6-12°	24244	26873
M350	137	17500	22000	116.1	123.6	6-12°	24332	26972
M375	145	17500	22000	121.1	127.0	6-12°	24420	27082
M400	157	17500	22000	128.0	133.9	6-12°	24882	27390
M450	177	17500	22000	137.8	143.7	6-12°	25080	27632
M500	196	17050	22000	147.6	153.5	6-6°	25300	27874
M550	216	16280	19800	159.4	165.4	3-6°	25828	28402
M600	236	15500	17500	169.3	175.2	3-6°	26026	28644

17,500 - 22,000lbs WIDE VIEW FULL FREE 3-STAGE MAST

Mast model	Max. Fork Height (inch)	Load Capacity (lbs)		Overall Mast Height (At Lowered) (mm)		Free Lift (with Backrest) (inch)		Tilting Angle Fwd/Bwd (deg.)	Service Weight (lbs)	
		CPCD80	CPCD100	CPCD80	CPCD100	CPCD80	CPCD100		CPCD80	CPCD100
ZSM360	141" TSU	15500	17500	96.5	101.2	43	51.6	6-6	24970	27676
ZSM400	157" TSU	15500	17500	101.4	106.3	47.9	56.7	6-6	25124	27808
ZSM435	171" TSU	15500	17500	106.3	111	52.8	61.4	6-6	25278	27940
ZSM480	189" TSU	15500	16500	112.2	116.9	58.7	67.3	6-6	25454	28072
ZSM500	196" TSU	15500	16500	116.1	119.5	62.7	69.9	3-6	25608	28182
ZSM540	212" TSU	14520	15500	121.1	127	67.6	77.4	3-6	25762	28336
ZSM600	236" TSU	13200	13200	132.9	134.8	79.4	85.2	3-6	26510	28512
ZSM650	256" TSU	12100	12320	141.7	141.5	88.3	91.9	3-6	26730	29150
ZSM700	275" TSU	9900	-	147.6	-	94.2	-	3-6	26928	-

NOTE: 17,500lbs FREE LIFTING HEIGHT WITHOUT LIFT BRACKET + 8.4" (22,000lbs without backrest)



11,000 - 22,000 lbs
H Series
Pneumatic Tire Forklift

STANDARD EQUIPMENT

Hour meter
Horn
Oil pressure alarm
Valve
Power steering
Load backrest
Rear view mirror
Combination lights
Transmission oil filter
Parking brake
Water temperature gauge
Tool case
Rear combo lights
Back-up alarm
Self-locking tilt valve

Overhead guard
Standard forks
Neutral switch
Hydraulic circuit oil filter
Radiator tank
Speed-limiting valve
Oil meter
Battery-charge indicator
Wide-view mast
Tow pin
Standard seat
Hydraulic oil gauge
Overhead guard rain cover
Torque converter oil gauge

OPTIONS

Cab
Rotating warning light
Vertical exhaust
Dual air filter
Suspension seat
Heater
Solid pneumatic tires
Hydraulic fork positioner
Catalytic converter
Spark arrestor
Fire extinguisher
Rear lights
Air conditioning (some models)
Torque converter oil temperature meter

Tilt cylinder sleeve
Steering cylinder sleeve
User-specified color
Optional attachments

C&C Lift/Truck Inc