

h2000
SERIES



4000-6000 lbs
LPG CUSHION TIRE
FORKLIFT

4000-6000 lbs
LPG CUSHION TIRE
FORKLIFT



STANDARD EQUIPMENT

- Hour meter
- Horn
- Oil pressure alarm
- Three-spool control valve
- Power steering
- Rubber pedal pads
- Load backrest
- Rear view mirror
- Front combo lights
- Complete tool kit
- Transmission oil filter
- Spark arresting muffler
- Water temperature meter
- 130 inch standard 2-stage mast
- Rear combo lights
- Back- up alarm
- Adjustable steering column
- Hydraulic oil filter
- Coolant overflow tank
- Oil gauge
- Battery-charge indicator
- Wide-view mast
- High air intake
- Tow pin
- Standard semi-suspension seat

OPTIONS

- Cab
- Amber strobe light
- Vertical exhaust
- Air pre-cleaner
- Full suspension seat
- Cab heater
- Solid pneumatic tire
- Windshield
- Rear work light
- Air conditioning
- Tilt cylinder boot
- Steering cylinder boot
- User-specified color
- Steel rub rails with fenders
- Dual drive tires
- LPG and dual-fuel system
- 2-Stage full free lift mast
- 3-Stage full free lift mast

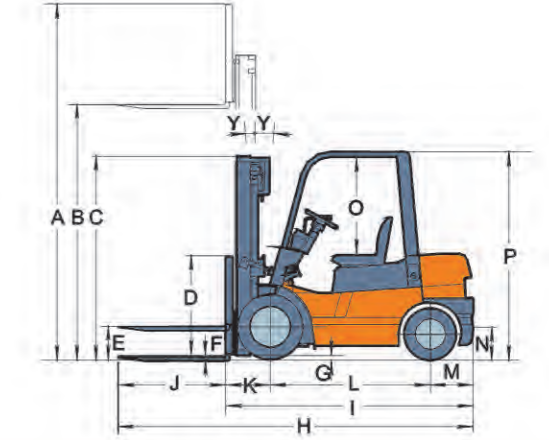
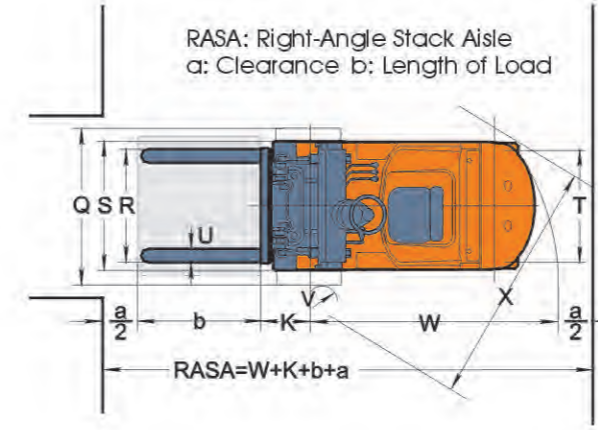
Industrial Forklifts

4105 GlobeVile
Denver, CO 80216
888.NEW-HELI(639-4354)
303-297-3426 Fax
www.IndustrialForklifts.com

*The specifications are based on the information available at the time of printing and may be changed without notice.

SPECIFICATIONS

Model			CPYD20C	CPYD25C	CPYD30C
Load Capacity	lbs		4,000	5,000	6,000
Load Center	in		24	24	24
Lifting Speed (With/Without load)	fpm		102/108	102/108	102/108
Max. Travel Speed	mph		11.2	11.2	9.9
Overall Height Forks Raised	A	in	225.5	225.5	234.6
Max. Fork Height	B	in	185	185	185
Overall Height Upright Lowered	C	in	83.6	83.6	85.4
Free Lift	E	in	42.7	42.7	35.4
Overall Length (With Forks)	H	in	124.8	131.9	138.5
Overall Length (Without Forks)	I	in	88.6	89.8	96.5
Min. Ground Clearance	G	in	3.2	3.2	3.2
Overhang (Front/Rear)	K/M	in	16/18.1	16/19.3	18.7/21.3
Wheel Base	L	in	55	55	59
Overall Height (With Overhead Guard)	P	in	83.5	83.5	82.3
Overall Width	Q	in	43	43	45.3
Opening Of Forks	R	in	9.6-40.2	9.6-40.2	9.8-41.7
Tread (Front/Rear)	S/T	in	35.5/35.4	35.5/35.4	37.1/38.2
Min. Intersecting Aisle	X	in	78.2	80.1	81.7
Min. Turning Radius (Outside)	W	in	75.6	79.1	83.1
Fork Size	J/U/F	in	42/4.8/1.57		42/4.92/1.77
Max. Drawbar Pull (Without/With Load)	lbs		4,269/1,874		
Tilt Angle (F/B)	Y	deg	5° -10°		
Max. Gradeability (With Load)	%		≥20		
Engine Model			GM 3.0 (LPG)		
Compression Ratio			8.2:1		
Rated Horsepower	hp/rpm		61.5/2,800		
Rated Torque	lbft/rpm		141/1,400-1,600		
Battery Voltage /Capacity	V/Ah		12/80		
Tire Type			CUSHION		
Total Weight	lbs		7,600	8,700	9,800



2-stage standard mast (M)&2-stage full free mast(ZM)

Mast model	Max. fork height mm(inch)	Capacity at 24 inch load center(lbs)			Overall Lowered Height (inch)			Tilting Angle
		CPYD20C	CPYD25C	CPYD30C	4000~5000lb(M)	6000lb(M)(ZM)	4000~5000lb(ZM)	
M204	2040(80)	4000	5000	6000	60	60	60	5° /10°
M250/ZM250	2500(98)	4000	5000	6000	73.6	71.3	72.4	5° /10°
M270/ZM270	2700(106)	4000	5000	6000	77.6	75.2	76.4	5° /10°
M300/ZM300	3000(118)	4000	5000	6000	83.5	81.3	82.3	5° /10°
M330/ZM330	3300(130)	4000	5000	6000	89.4	87.0	88.2	5° /10°
M350/ZM350	3500(137)	4000	5000	6000	93.3	90.9	92.1	5° /10°
M370/ZM370	3700(145)	4000	5000	6000	97.2	94.9	96.1	5° /10°
M400/ZM400	4000(157)	4000	5000	6000	105.1	102.8	103.9	5° /10°
M450/ZM450	4500(177)	3800	4800	5800	115.0	112.6	113.8	5° /10°
M475/ZM475	4750(187)	3600	4600	5600	119.9	117.5	118.7	5° /10°
M550/ZM550	5000(196)	3600	4600	5600	124.8	122.4	123.6	5° /10°
M600/ZM600	5500(217)	3400	4400	5300	134.6	134.3	135.4	5° /10°
M204/ZM204	6000(236)	3200	4200	5000	144.5	144.1	145.3	5° /10°

3-stage full free mast (ZSM)

Mast model	Max. fork height mm(inch)	Capacity at 24 inch load center(lbs)			Overall Lowered Height (inch)				Tilting Angle
		CPYD20C	CPYD25C	CPYD30C	4000~5000lb(ZSM)	6000lb(ZSM)	4000~5000lb(ZSM)	4000~5000lb(ZSM)	
ZSM360	3600(142)	3900	4900	5900	-	73.6	24.5	24.5	3° /6°
ZSM400	4000(157)	3800	4800	5700	-	78.5	27.0	27.0	3° /6°
ZSM435	4350(171)	3700	4700	5700	-	83.5	29.4	29.4	3° /6°
ZSM450	4500(177)	3700	4700	5600	81.1	85.4	30.4	30.4	3° /6°
ZSM470	4700(185)	3500	4500	5400	83.7	85.4	31.7	31.7	3° /6°
ZSM480	4800(189)	3500	4300	5200	85.0	89.4	32.4	32.4	3° /6°
ZSM500	5000(196)	3400	4000	5000	89.0	93.3	34.3	34.3	3° /6°
ZSM540	5400(212)	2800	2300	3800	93.9	98.2	36.9	36.9	1.5° /6°
ZSM600	6000(236)	1800	2000	2200	102.8	107.1	41.2	41.2	1.5° /6°

NOTE: (1)4000~5000lbs free lift height (without backrest):(+17.1in),6000 free lift height (without backrest):(+22.8in)

5000lbs 4-STAGE FULL FREE MAST(ZFM)

Mast model	Max. fork height mm(inch)	Capacity at 24 inch load center (lbs)	Overall Lowered Height (inch)	Free Lift (with backrest)	Tilting Angle	Service Weight (lbs)
ZFM610	6100(240)	3000	83	41.14	5° /6°	7500
ZFM650	6560(258)	2400	89	47.24	5° /3°	7580