

4,000-7,000 lbs
H Series
Pneumatic Tire Forklift



h2000
SERIES

HELI
LIFTING THE FUTURE

Top 10 Forklift
Manufacturer In The World

H Series Pneumatic Tire Forklift

4,000-7,000 lbs

Drive Axle



- ✓ Power Train designed & Manufactured by HELI utilizing globally proven components
- ✓ one piece cast iron housing
- ✓ Spin-on external transmission filter
- ✓ smooth forward-reverse direction changes
- ✓ Large diameter 12" automotive style, self-adjusting brakes

Heavy Duty Clutch Packs



Large diameter vented clutch packs
Providing improved cooling and
extended service life.

Cooling system



- ✓ Industrial radiator with copper core and steel tanks
- ✓ Industry's ONLY serviceable radiator design
- ✓ Superior cooling capacity-longer useful life



EPA Certified Engines



GM3.0 Gasoline / LPG / Dual Fuel



Kubota Diesel Available 2.4 and 2.6 liter

- ✓ Reliable proven design
- ✓ Durable cast iron block & heads
- ✓ Maintenance friendly service interface
- ✓ No proprietary service software required

Mast & Carriage

- ✓ Optimized visibility
- ✓ Heavy duty side thrust rollers-easily adjustable-better load stability
- ✓ Full face mast channel roller bearings
- ✓ 4 Carriage rollers with 4 adjustable side thrust rollers
- ✓ Stacked I-Beam construction provides longer life,improved rigidity and better lateral Stability



Hydraulic System

- ✓ Large capacity hydraulic for improved cooling
- ✓ Large access opening for easy clean out
- ✓ Stacked hydraulic control valve
- ✓ All hose and fittings are SAE,JIC standard for ease of maintenance



Hydraulic Steering System

- ✓ Steering system delivers reduced effort and faster response to minimize operator fatigue
- ✓ Heavy duty fabricated steel axle
- ✓ Heavy duty serviceable king pins with large capacity thrust bearing and zerk fittings



Operator Compartment

- ✓ Cowl mounted hydraulic controls
- ✓ Semi-suspension seat with 3-way adjustment
- ✓ Spacious foot well with non-slip rubber mat
- ✓ Easy entry and exit with wide steps on both sides of compartment
- ✓ Full function dash display



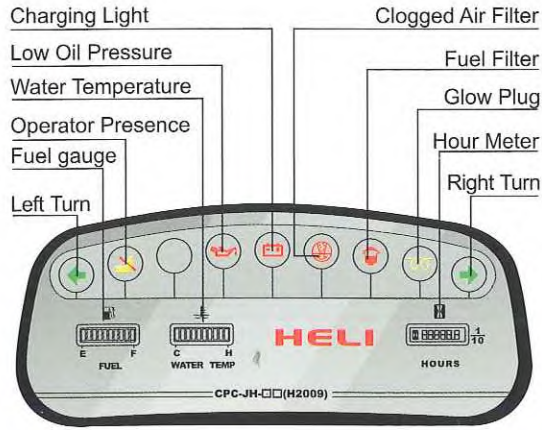
**Class V
Pneumatic Tire Forklift 4,000-7,000 lbs**



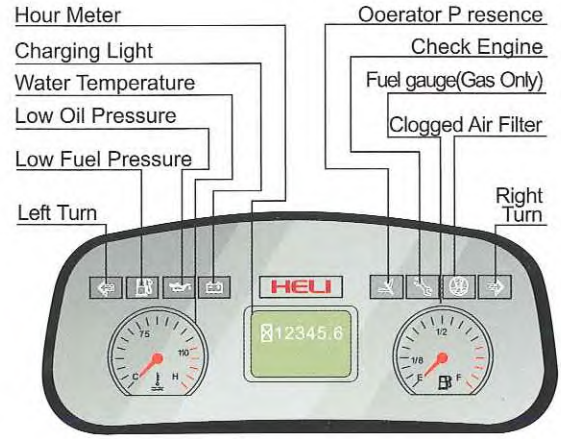
Manufacturer's Data and Design Characteristics																			
Characteristics																			
		---		---		---		---		CPQD=Gas		CPYD=LPG		CPQYD=Dual Fuel					
		CPCD20		CPCD25		CPCD30		CPCD35		CP(Q)YD20		CP(Q)YD25		CP(Q)YD30					
		Diesel																	
		Gasoline/LPG/Dual Fuel																	
		4000		5000		6000		7000		4000		5000		6000		7000			
		inch				24						24							
Dimensions																			
5	Overall mast height with backrest	h4	inch	157.2	157.2	166.4	166.2	157.2	157.2	166.4	166.2	157.2	157.2	166.4	166.2				
6	standard fork height	h3	inch	118															
7	overall lowered height	h1	inch	78.7	78.7	81.4	85.8	78.7	78.7	81.4	85.8	78.7	78.7	81.4	85.8				
8	Free lift standard backrest height	h2	inch	6.6	6.6	6.2	6.6	6.6	6.6	6.2	6.6	6.6	6.6	6.2	6.6				
9	Operator clearance	h7	inch	40.7															
10	Overall height	h6	inch	81.4	81.4	82.2	82.2	81.4	81.4	82.2	82.2	81.4	81.4	82.2	82.2				
11	Overall length(without forks)	L2	inch	99.2	102.2	106.3	106.8	99.2	102.2	106.3	106.8	99.2	102.2	106.3	106.8				
12	Front overhang	X	inch	18.9	18.9	19.1	19.6	18.9	18.9	19.1	19.6	18.9	18.9	19.1	19.6				
13	Rear overhang	L4	inch	17.3	20.2	20.2	20.2	17.3	20.2	20.2	20.2	17.3	20.2	20.2	20.2				
14	Wheel base	L5	inch	62.9	62.9	66.9	66.9	62.9	62.9	66.9	66.9	62.9	62.9	66.9	66.9				
15	top pin height	h5	inch	11.4	11.4	12.2	12.2	11.4	11.4	12.2	12.2	11.4	11.4	12.2	12.2				
16	Minimum ground clearance under mast	m1	inch	4.3	4.3	5.3	5.3	4.3	4.3	5.3	5.3	4.3	4.3	5.3	5.3				
17	Overall width	B	inch	45.2	45.2	48.2	48.2	45.2	45.2	48.2	48.2	45.2	45.2	48.2	48.2				
18	Lateral fork adjustment outside of fork(Max./Min.)	S	inch	39.3/8.7	39.3/8.7	41.5/9.8	41.5/9.8	39.3/8.7	39.3/8.7	41.5/9.8	41.5/9.8	39.3/8.7	39.3/8.7	41.5/9.8	41.5/9.8				
19	Tread(front)	R	inch	38.1	38.1	39.3	39.3	38.1	38.1	39.3	39.3	38.1	38.1	39.3	39.3				
20	Tread(rear)	P	inch	38.1	38.1	38.1	38.1	38.1	38.1	38.1	38.1	38.1	38.1	38.1	38.1				
21	Outside turning radius	Wa	inch	85.4	88.1	94.4	95.2	85.4	88.1	94.4	95.2	85.4	88.1	94.4	95.2				
22	Inside turning radius	V	inch	6.2	6.2	7.8	7.8	6.2	6.2	7.8	7.8	6.2	6.2	7.8	7.8				
23	Minimum intersecting aisle	Ra	inch	86.6	89.7	93.7	94.4	86.6	89.7	93.7	94.4	86.6	89.7	93.7	94.4				
24	Tilting angles(forward/backward)	α/β		6° /12°															
25	fork dimension (a×b×c)		inch	42×3.93×1.77	42×3.93×1.77	42×4.92×1.77	42×4.92×1.97	42×3.93×1.77	42×3.93×1.77	42×4.92×1.77	42×4.92×1.97	42×3.93×1.77	42×3.93×1.77	42×4.92×1.77	42×4.92×1.97				
Performance																			
26	Max. Traveling speeds(With/Without load)		mile/h	10.6/11.8		11.2/11.8		11.8/11.8		10.6/11.8		11.2/11.8		11.8/11.8					
27	Lifting Speeds(With/Without load)		Ft/min	20.8/21.6		17.3/18.8		12.9/14.5		20.8/21.6		17.7/18.8		12.2/13.3					
28	Lowering Speeds(With/Without load)		Ft/min	17.7/21.6		17.7/19.6		13.7/15.7		17.7/21.6		17.7/19.6		13.7/15.7					
29	Max. Draw-bar pull,(With/Without load)		lbs	3690/2020		3640/1930		3620/2200		4630/2650		4560/1890		4560/1998		4237/2205		4237/2250	
30	Max. Negotiable Gradient(With/Without load)		%	23/20	25/20	20/17	21.5/17	15/17	16/17	20/15	22/15	18/20	18/20	15/17	15/17	12/14	14/14	15/15	15/15
Weights																			
31	Service Mass		lbs	7312	8105	9405	10352	7312	8105	9405	10352	7312	8105	9405	10352				
32	axle Load with load(Front/Rear)		lbs	10546/1171	12251/1361	14411/1601	16255/1806	10546/1171	12251/1361	14411/1601	16255/1806	10546/1171	12251/1361	14411/1601	16255/1806				
33	axle Load without load(Front/Rear)		lbs	2925/4387	3242/4863	3762/5643	4140/6211	2925/4387	3242/4863	3762/5643	4140/6211	2925/4387	3242/4863	3762/5643	4140/6211				
Tires																			
34	Wheels number front/rear(x=driven)			2X/2				2X/2											
35	Type			Pneumatic				Pneumatic											
36	size(front)			7.00-12-12PR		28×9-15-12PR		28×9-15-14PR		7.00-12-12PR		28×9-15-12PR		28×9-15-14PR					
37	size(rear)			6.00-9-10PR		6.50-10-10PR		6.50-10-10PR		6.00-9-10PR		6.50-10-10PR		6.50-10-10PR					
38	Service Brake			Hydraulic-Foot Pedal				Hydraulic-Foot Pedal											
39	Parking Brake			Mechanical-Hand Lever				Mechanical-Hand Lever											
Drive																			
40	Battery (Voltage/Capacity)		V/Ah	12/80				12/80											
41	Internal Combustion Engine Model			Kubota V2403 (high power V3600)				Kubota V3600				GM 3.0							
42	Internal Combustion Engine Rated Output		hp/rpm	47.5/2400				68/2400				Gasoline 68/2700,LPG 64/2700							
43	Internal Combustion Engine Rated Torque		lb.ft/rpm	114.2/1600				173.5/1400				Gasoline 146/1500,LPG 139/1500							
44	Internal Combustion Engine Displacement		L	148/2.434				220.9/3.62				18.3/2.966							
45	Internal Combustion Engine Fuel Tank Capacity		L	13.2				13.2											
46	Transmission Number of Speed Fwd/Bwd type			1-1Power Shift T/M , 2-2 Manual Shift T/M				1-1Power Shift T/M , 2-2 Manual Shift T/M											

Instrument Panels

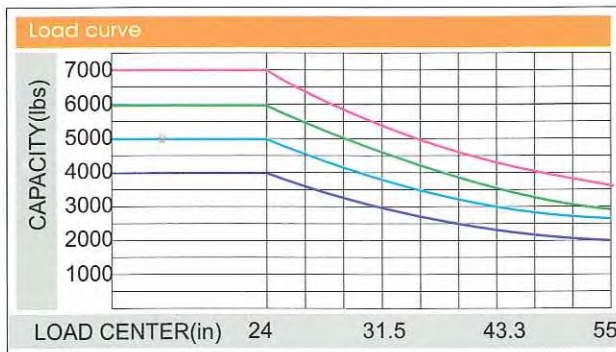
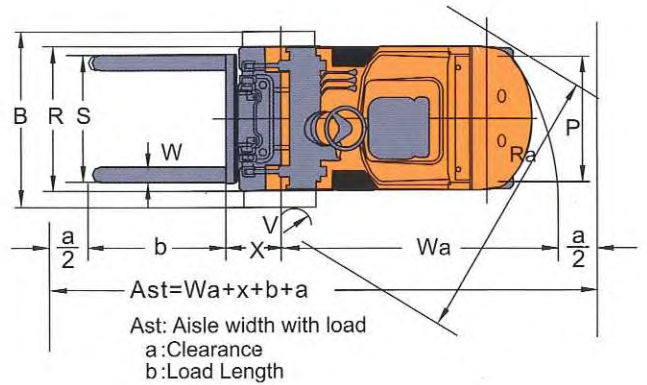
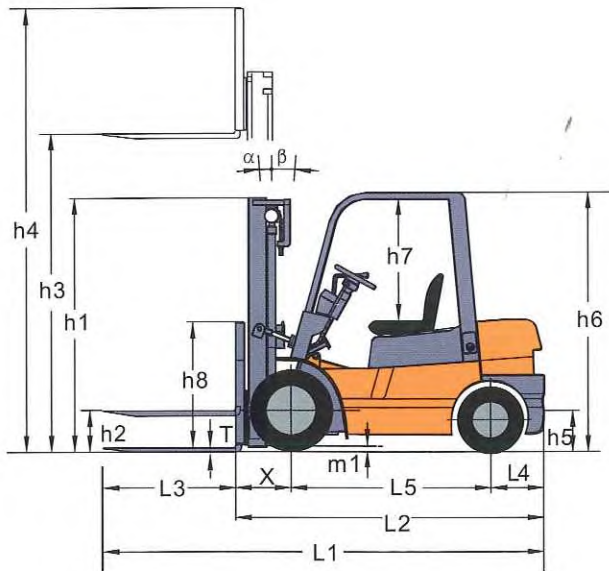
The instrument panel gives a complete display of vital information, including operation status, etc. It allows the operator to maintain the vehicle status conveniently.



Diesel Display



Gas/LPG/Dual Fuel Display



4000lbs 5000lbs 6000lbs 7000lbs

Note:

Capacities shown are computed with mast in vertical position based on a 48 inch cube load configuration with the center of gravity at the true center of the cube and standard forks. Long forks and unusually wide loads may also reduce capacity.

4,000-7,000 lbs WIDE VIEW MAST

Mast model	Max. fork height inch	Capacity at 24inch; Load center (lbs)				Overall Lowered Height (inch)				Tilting Angle	Service Weight (lbs)						
		4000lbs	5000lbs	6000lbs	7000lbs	2000-3600lbs	4000-5000lbs	6000lbs	7000lbs		2000lbs	3000lbs	3600lbs	4000lbs	5000lbs	6000lbs	7000lbs
M200	78.7	4405	5506	6607	7709	58.8	59	61.6	66.1	6-12	4669	5572	6079	7136	7929	9394	10572
M250	98.4	4405	5506	6607	7709	68.7	7709	68.7	71.4	75.9	6-12	4724	5627	6134	7224	8017	9493
M300	118.1	4405	5506	6607	7709	78.5	78.7	81.4	85.8	6-12	4889	5859	6365	7312	8105	9405	10352
M330	129.9	4405	5506	6607	7709	84.8	84.8	87.2	91.7	6-12	4834	5737	6244	7367	8160	9636	10870
M350	137.7	4405	5506	6607	7709	88.3	88.7	91.1	95.6	6-12	4867	5770	6277	7400	8193	9669	10870
M370	145.6	4405	5506	6607	7709	92.3	92.7	95	99.6	6-6 *6-12	4911	5814	6321	7433	8226	9713	10947
M400	157.4	4405	5506	6607	7709	100.1	100.5	102.9	107.4	6-6 *6-12	5000	5903	6409	7533	8325	9845	11134
M425	167.3	4185 *4405	4955 *5506	6277 *6607	7048 *7709	105.1	105.3	107.8	112.4	6-6 *6-12	5033	5936	6442	7577	8370	9889	11200
M450	177.1	3964 *4185	4735 *5286	6057 *6607	6607 *6718	2795	110.2	112.7	117.3	6-6 *6-12	5066	5969	6475	7621	8414	9933	11233
M500	196.8	3524 *3744	3634 *4845	5286 *6277	5506 *6277	119.8	120	122.6	127.1	6-6 *6-6	5143	6146	6552	7709	8502	10044	11387
M550	216.5	*3524	*4295	*5286	*5506	131.6	131.8	134.4	138.9	*3-6	5506	6409	6916	8138	8931	10528	11607
M600	236.2	*3303	*3964	*4845	*5066	141.5	141.7	144.2	148.8	*3-6	5572	6475	6982	8226	9019	10616	11740

- NOTE: (1)For diesel model:add 198 lbs,dual drive:add 242 lbs.
 (2)*Front wheel is dual drive.
 (3)Rated capacity with(*)shows capacity with front dual tires.
 (4)Overall mast height without load backrest:-18.5 inches.

4,000-7,000 lbs WIDE VIEW FULL FREE 2-STAGE MAST

Mast model	Max. fork height inch	Capacity at 24inch; Load center (lbs)				Overall Lowered Height (inch)				Free Lift (with Backrest)				Tilting Angle	Service Weight (lbs)						
		4000lbs	5000lbs	6000lbs	7000lbs	2000-3600lbs	4000-5000lbs	6000lbs	7000lbs	2000-3600lbs	4000-5000lbs	6000lbs	7000lbs		2000lbs	3000lbs	3600lbs	4000lbs	5000lbs	6000lbs	7000lbs
ZM300	118.1	4405	5506	6607	7709	78.5	78.5	81.4	85.8	38.7	39.1	33.4	37.7	6-12	4911	5837	6365	7455	8204	9669	10859
ZM330	129.9	4405	5506	6607	7709	84.4	84.4	87.4	91.7	44.6	45	39.3	43.3	6-12	4955	5881	6409	7500	8259	9724	10936
ZM350	137.7	4405	5506	6607	7709	88.3	88.3	91.3	95.6	48.6	49	43.3	47.6	6-12	4988	5914	6442	7533	8292	9823	11013
ZM370	145.6	4405	5506	6607	7709	93.3	93.3	95.2	99.6	53.5	53.9	47.8	52.5	6-6 *6-12	5022	5947	6475	7433	8226	9713	11013

- NOTE: (1)2-2.5t free lift height (without backrest):+17.1inch,6000lbs free lift height (without backrest):+22.8inch.
 (2)Dual wheels weight:+242.2lbs.
 (3)*(front wheel) is dual drive load capacity.
 (4)Max.lifting height without load bracket:-18.5inch.
 (5)Free lifting height without load bracket:+18.5inch.
 (6)Rated capacity with(*)shows capacity with dual drives.

4,000-7,000 lbs WIDE VIEW FULL FREE 3-STAGE MAST

Mast model	Max. fork height inch	Capacity at 24inch; Load center (lbs)				Overall Lowered Height (inch)				Free Lift (with Backrest)				Tilting Angle	Service Weight (lbs)						
		4000lbs	5000lbs	6000lbs	7000lbs	2000-3600lbs	4000-5000lbs	6000lbs	7000lbs	2000-3600lbs	4000-5000lbs	6000lbs	7000lbs		2000lbs	3000lbs	3600lbs	4000lbs	5000lbs	6000lbs	7000lbs
ZSM430	171.2	4074 *4185	4845 *5286	6167 *6387	6607 *6607	80.3	80.5	86.2	88.1	39.3	39.5	36.2	38.1	6-6 *6-6	5121	6046	6574	7786	8557	10242	11178
ZSM450	177.1	3854 *3964	4735 *5086	5947 *6167	6387 *6387	82.2	82.4	88.1	92.1	41.3	41.3	38.1	42.1	6-6 *6-6	5187	6057	6596	7852	8612	10264	11189
ZSM470	185	3788 *3964	4405 *5086	5726 *6167	—	85	85	88.1	—	44	44	38.1	—	6-6 *6-6	5209	6079	6618	7852	8612	10264	—
ZSM480	188.9	3744 *3964	4295 *5066	5506 *6167	5726 *6387	86.2	86.4	92.1	96	45.2	45.4	42.1	46	6-6 *6-6	5231	6112	6629	7874	8623	10308	11222
ZSM500	196.8	3524 *3854	3634 *4599	5286 *6057	5396 *6277	90.1	90.3	96	100.9	49.2	49.4	46	50.9	6-6 *6-6	5286	6123	6685	8182	8931	10407	11200
ZSM540	212.5	3193 *3744	3303 *4735	4955 *5837	5066 *5947	95.2	95.2	100.9	104.9	54.3	54.3	50.9	54.9	3-6 *3-6	5330	6200	6729	8579	9328	10484	—
ZSM600	236.2	2092 *3524	2202 *3964	3303 *4625	3414 *4845	104.3	104.1	109.8	113.5	63.3	63.1	59.8	63.5	3-6 *3-6	5462	6332	6861	8689	9438	10682	—
ZSM680	255.9					112.4				78.1				*3-6	5572	6442	6971				
ZSM700	275.5	*2202	*2643.1	*3303	—	119	119	125	—	71.4	78.3	75	—	*3-6	5682	6552	7081	9570	9878	11563	—

- NOTE: (1)2-2.5t free lift height (without backrest):+17.1inch,6000lbs free lift height (without backrest):+22.8inch.
 (2)Dual drive weight:+242.2lbs.
 (3)*(front wheel) is dual drive load capacity.
 (4)Max.lifting height without load bracket:-18.5inch.
 (5)Free lifting height without load bracket:+18.5inch.
 (6)Rated capacity with(*)shows capacity with dual drives.

For other mast options, please contact your authorized **HELI** dealer.

HELI

h2000
SERIES



4,000-7,000 lbs
H Series
Pneumatic Tire Forklift

STANDARD EQUIPMENT

Hour meter
Horn
Oil pressure alarm
Three-spool control valve
Power steering
Rubber pedal pads
Load backrest
Rear view mirror
Front combo lights
Complete tool kit
Transmission oil filter
Spark arresting muffler
Water temperature meter
Rear combo lights
Back-up alarm
Adjustable steering column
Hydraulic oil filter
Coolant overflow tank
Oil gauge
Battery-charge indicator
Wide-view mast
High air intake
Toe pin
Standard aemi-suspension seat

OPTIONS

Cab
Amber strobe light
Vertical exhaust
Air pre-cleaner
Full suspension seat
Cab heater
Solid pneumatic tire
Windshield
Rear work light
Air conditioning
Tilt cylinder boot
Steering cylinder boot
User-specified color
Steel rub rails with fenders
Dual drive tires
LPG and dual-fuel system

C&C Lift/Truck Inc